

Model 3721

42 W max out • 90-264 VAC input

- Universal input voltage (90-264VAC)
- Fixed output voltages
- Short circuit proof
- ECO-design compliance:

CoC Tier 2, DoE level VI, CEC, MEPS

- Approvals:

- Medically certified

Safety: EN 60601-1 ed. 3.1

EMC: EN 60601-1-2 ed. 4

- UL approved

- Custom specifications on request:

Output voltage, connectors, cords, logo print, housing/open frame/IP rating and certificates. For more information: [custom design info sheet](#)

Notes:

Plug-in/desktop unit

90-264V

Exchangeable AC and DC plugs

Order plugs and mains cord separately

Blueline



Available versions

5V / 5A

6V / 4,16A

7,5V / 3,33A

9V / 4,67A

12V / 3,5A

15V / 2,8A

18V / 2,33A

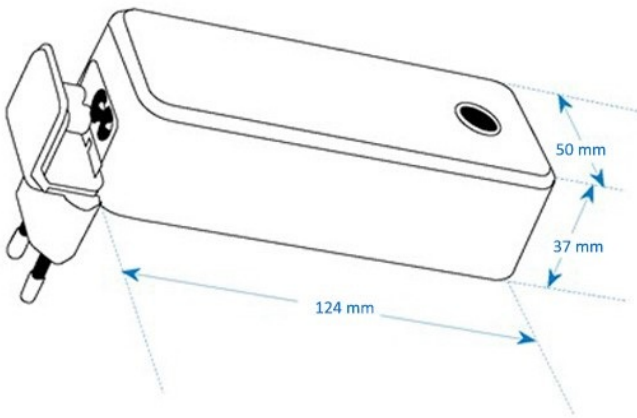
24V / 1,75A

SPECIFICATIONS FOR TYPE 3721:	5V	6V	7.5V	9V	12V	15V	18V	24V
Input voltage:	90-264VAC	90-264VAC	90-264VAC	90-264VAC	90-264VAC	90-264VAC	90-264VAC	90-264VAC
Line frequency:	47 - 63Hz	47 - 63Hz	47 - 63Hz	47 - 63Hz	47 - 63Hz	47 - 63Hz	47 - 63Hz	47 - 63Hz
Output voltage:	5V±2.5%	6V±2.5%	7.5V ± 2.5%	9V ± 2.5%	12V ± 2.5%	15V ± 2.5%	18V ± 2.5%	24V ± 2.5%
Max output power:	25W	25W	25W	42W	42W	42W	42W	42W
Min. output current:	0A	0A	0A	0A	0A	0A	0A	0A
Max. output current:	5A	4.16 A	3.33A	4.667A	3.5A	2.8A	2.33A	1.75A
Load regulation (0 - 100% load. Measured on pcb):	< 1%	< 1%	< 1%	< 1%	< 1%	< 1%	< 1%	< 1%
Mains regulation: (Mains var.: 90-264V, 100% load)	< 0,5%	< 0,5%	< 0,5%	< 0,5%	< 0,5%	< 0,5%	< 0,5%	< 0,5%
Ripple & Niose:	< 130mV p-p	< 130mV p-p	< 130mV p-p	< 200mV p-p	< 130mV p-p	< 200mV p-p	< 200mV p-p	< 130mV p-p
Efficiency (at 100% load, 230V) approx.:	86%	87%	87%	89%	89%	89%	89%	89%
Switch frequency approx.:	65~95kHz	65~95kHz	65~95kHz	65~95kHz	65~95kHz	65~95kHz	65~95kHz	65~95kHz
Overshoot (90 - 10% load variation):	< 200mV	< 200mV	< 200mV	< 200mV	< 200mV	< 200mV	< 200mV	< 200mV
Undershoot (10 - 90% load variation):	< 350mV	< 350mV	< 350mV	< 500mV	< 350mV	< 500mV	< 400mV	< 400mV
Measured on pcb								
Hold up time:(at 90Vac)	>8ms	>8ms	>8ms	>8ms	>8ms	>6ms	>6ms	>6ms
Temperature range:	*Operating: -20 to +40°C *With derating: +60°C *Storage: -25 to +85°C							
Derating:	1W/°C over 40°C							
Safety:	EN/IEC/ANSI 60601-1 3ed							
Insulation class :	Class II							
Insulation voltage: Primary – secondary:	4000VAC / 5700VDC							
EMC standards:	EMC med. EN 60601-1-2 / Emission EN 61000-6-3 / Immunity EN 61000-6-1							
Standby power:	<0.075W							
IP-degree	IP4X							
Input terminal	2-pins IEC320 C8 connector							
Output terminals:	Cord with/without plug. Exchangeable plugs available.							
Dimensions:	124 × 50 × 37 mm							
Weight:	240g.							

Standard output cordsets

Versions	Part no.	Type	AWG	Length (M)	Notes
5V * 6V * 7,5V	131581	Female conn	16	1.2	EMI core, UL 1185
9V * 12V * 15V 18V * 24V	131514		18		Coax w. EMI core UL 1185

Technical drawing



EU & UK Declaration of Conformity



We, the responsible manufacturer;

Company Name:	Mascot Electronics AS				
Postal Address:	P.O.Box 177, N-1601 Fredrikstad, NORWAY				
Visiting Address:	Mosseveien 109, N-1624 Gressvik, NORWAY				
Telephone:	(+47) 69 36 43 00	E-mail:	sales@mascot.com	WEB:	www.mascot.com

declare that this Declaration is issued under our sole responsibility and belongs to the following product(s):

Product and intended purpose:	Power Supply Unit
Brand(s):	and/or MASCOT (may also carry additional customer name, logo or trade mark)
Type(s)/Model(s)/UDI-DI:	3721-XX (for explanation of "xx", see Description below) (may also carry additional customer model name or part number)
Batch / Serial No./UDI-PI:	all CE- and/or UKCA- marked products produced from the date indicated below (for production date: see marking on the product)
Description:	Input: 100-240 VAC 50-60 Hz max. 1.0 A, Class II Output: model 3721-50: 5.0 VDC, max. 5 A, max. 25 W model 3721-60: 5.1 - 6.0 VDC, max. 4.17 A, max. 25 W model 3721-75: 6.1 - 7.9 VDC, max. 4 A, max. 30 W model 3721-90: 8 - 11.9 VDC, max. 4.6 A, max. 42 W model 3721-12: 12 - 14.9 VDC, max. 3.5 A, max. 42 W model 3721-15: 15 - 16.9 VDC, max. 2.8 A, max. 42 W model 3721-18: 17 - 19.9 VDC, max. 2.33 A, max. 42 W model 3721-24: 20 - 29.9 VDC, max. 1.75 A, max. 42 W <i>(fixed output voltage within the range)</i>

The product(s) described above are in conformity with the relevant European Union harmonisation legislation for CE-marking:

2014/30/EU *)	EU Directive - Electromagnetic Compatibility (EMC) <small>recast, repealing Directives 2004/108/EC & 89/336/EEC</small>
(EU) 2017/745	EU Regulation - Medical Devices Regulation (MDR), Risk Class I Device <small>amending Directive 2001/83/EC, Reg. (EC) 178/2002 & (EC) 1223/2009 and repeal Directives 90/385/EEC & 93/42/EEC</small>
2009/125/EC *)	EU Directive - Energy Related Products, Ecodesign (ERP) <small>recast, repealing Directive 2005/32/EC (EUP)</small>
2015/863/EU	EU Directive - Restriction on use of Hazardous Substances in EEE ("RoHS3") <small>recast, repealing Directives 2002/95/EC, 2008/35/EC & 2011/65/EU</small>

The product(s) described above are in conformity with the relevant U.K. legislation for UKCA-marking:

Electrical Equipment (Safety) Regulations 2016
Electromagnetic Compatibility (EMC) Regulations 2016
The Medical Devices (Amendment etc.) (EU Exit) Regulations 2020, Risk Class I Device
Ecodesign for Energy-Related Products (External Power Supplies) Regulations 2020 <small>Draft Regulation, awaiting implementation</small>
The Restriction of the Use of Certain Hazardous Substances in Electrical and Electronic Equipment Regulations 2012

The following harmonised standards and technical specifications have been applied:

(International editions and comments indicated in brackets):

Electrical Safety and Electromagnetic Compatibility (to MDR/MDD-Directives):

EN 60601-1	EN 60601-1:2006 + /AC:2010 +/A1:2013 (IEC 60601-1:2005 + /A1:2012)	Medical electrical equipment, Edition 3.1 The products provides two Means Of Operator Protection (2 MOOP)
EN 60601-1-2	EN 60601-1-2:2015 (IEC 60601-1-2:2014, Edition 4.0)	Medical equipment, EMC - Requirements and tests, Edition 4.0

Electromagnetic Compatibility (to EMC-Directive):

EN 61000-6-1 *)	EN 61000-6-1:2007 (IEC 61000-6-1:2005, Edition 2.0) (also IEC 61000-6-1:2016, Edition 3.0, not yet an EN-norm)	Immunity-residential, comm. & light-industrial environment, Edition 2.0
EN 61000-6-3 *)	EN 61000-6-3:2007 + /A1:2011 & /AC:2012 (IEC 61000-6-3:2007 + /A1:2010)	Emission-residential, comm. & light-industrial environment, Edition 2.1

Ecodesign to EU ERP-Directive:

Commission Regulation (EC) No 2019/1782 *)	implementing Directive 2005/32/EC with regard to ecodesign requirements for no-load condition electric power consumption and average active efficiency of external power supplies
---	---

Ecodesign for U.K.:

Draft Regulation only (awaiting implementation) *)	Draft "Ecodesign for Energy-Related Products (External Power Supplies) Regulations 2020" (Note: not applicable to Battery Chargers)
---	---

Restriction of the Use of certain Hazardous Substances (RoHS) for EU:

2015/863/EU "RoHS3"	EU Directive - Restriction on use of Hazardous Substances in EEE Restriction of the Use of certain Hazardous Substances in Electrical and Electronic Equipment
----------------------------	--

Restriction of the Use of certain Hazardous Substances for UK:

The Restriction of the Use of Certain Hazardous Substances in Electrical and Electronic Equipment Regulations 2012

Additional Information:

Compliance with harmonised standards and technical specifications may have been verified by the manufacturer, by third party testing or by a Certification Body (NCB).

*) used above denotes verified by the manufacturer only.

The product(s) may be produced at production sites (for specific product: see "Made in"-marking on the product):

- Mascot Baltic OÜ, Taevakivi 15, EE-13619 Tallinn, ESTONIA, certified to standard EN 29001:2015 (ISO 9001:2015) by Metroserit, certificate ref. K-144
- Mascot Power Supplies (Ningbo) Co.,Ltd, No.128 Jinchuan Road, Zhenhai, Ningbo 315221, CHINA, certified to standard EN 29001:2015 (ISO 9001:2015) by DNV-GL, certificate ref. 179027-2015

Fredrikstad, Norway

Place of issue

2022-04-05

Date of issue

Signed on behalf of Mascot Electronics AS



Finn-Erik Waalin, Compliance Manager

Name, function, signature